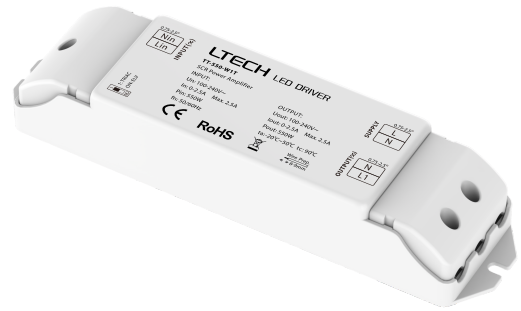


Phase Cut Power Amplifier

- Small size and light weight. The housing is made from V0 flame retardant PC materials from SAMSUNG/COVESTRO.
- Leading edge (Triac) and trailing edge (ELV) input. Available in Triac (leading edge) and ELV (trailing edge) output.
- Expand Phase cut power output.
- Have great compatibility that support converting from leading edge dimming to trailing edge dimming or vise versa.
- Work with dimmable LED bulbs or Phase cut LED drivers.
- Use the innovative thermal management technology to intelligently protect the lives of LED drivers.
- With overheat and overload protection, automatic recovery.

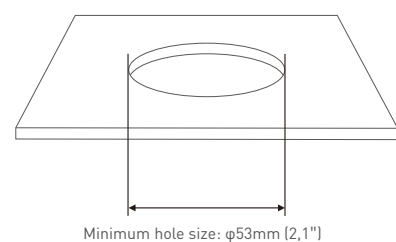
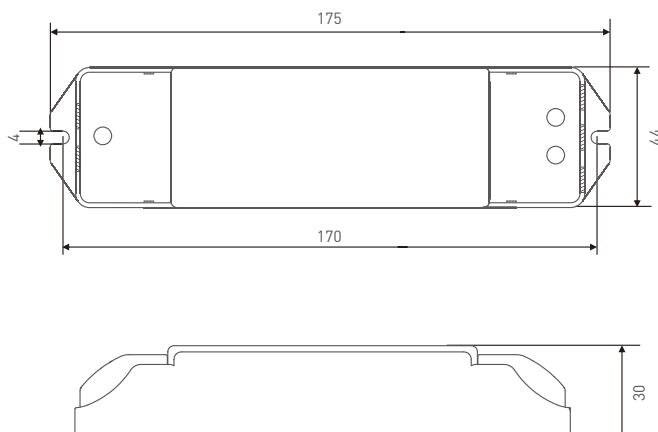


Technical Specs

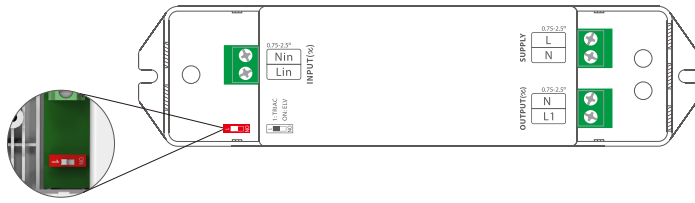
Model	TT-550-W1T	
Features	Dimming Interface	Triac/ELV
	Output Feature	non-isolated
	Protection Grade	IP20
OUTPUT	Output Signal	Triac/ELV
	Output Voltage Range	100-240Vac
	Output Current	Max. 2.5A
	Output Power	Max. 550W
	Output Power Range	0-550W
	Overload Power Limitation	≥102%
	Load Surge Current	Max. 65A
INPUT	Input Voltage	100-240Vac
	Frequency	50/60Hz
	Input Current	≤2.5A/230Vac
ENVIRONMENT	Working Temperature	ta: -20 ~ 50°C tc: 90°C
	Working Humidity	20 ~ 95%RH, non-condensing
	Storage Temperature, Humidity	-40 ~ 80°C/10~95%RH
	Temperature Coefficient	±0.03%/°C(0-50°C)
	Vibration	10-500Hz, 2G 12min/1cycle, 72 min for X, Y and Z axes respectively
PROTECTION	Overheat Protection	When the environment temperature exceeds 110°C under the rated load, the output will be turned off and will be restored once the temperature decreases.
	Overload Protection	When the rated power is exceeded, the output will be turned off and will be restored once the power is lowered
OTHERS	Warranty	5 years



Product Size

Unit: mm



Dip Switch Function



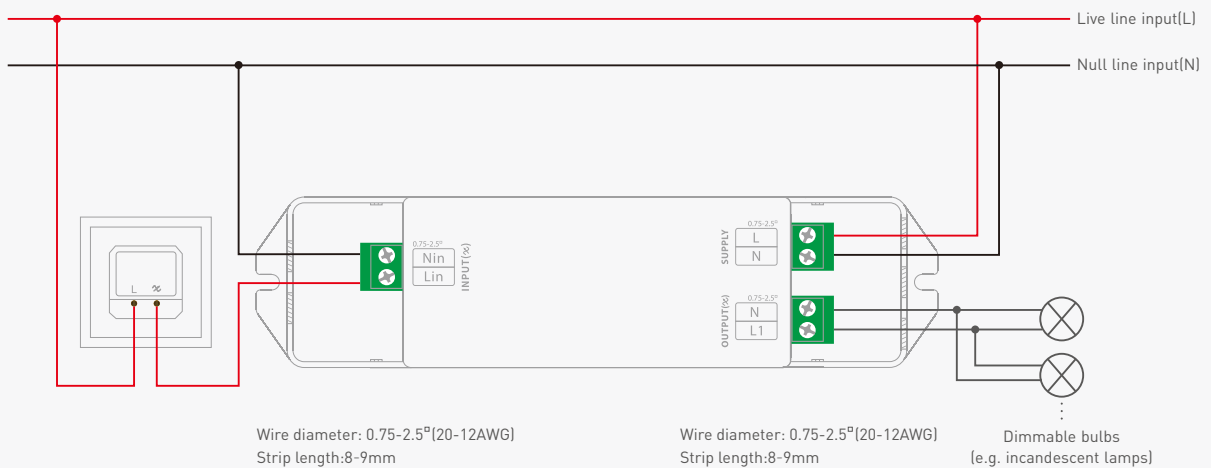
- ①  Output Triac signal
- ②  Output ELV signal

Wiring Diagram

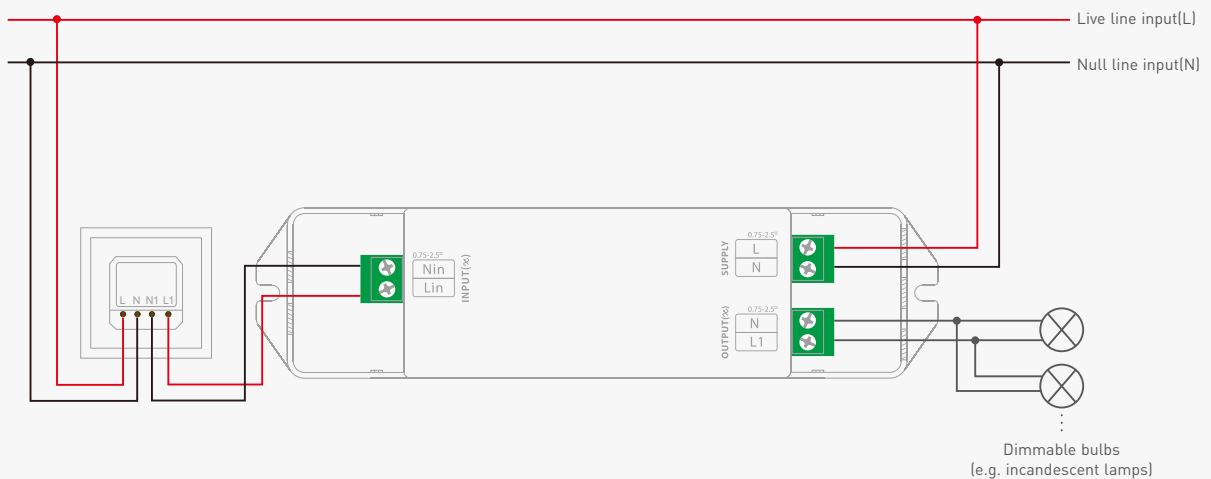
Note: In all connection modes shown below, the live lines (L line) both of the dimmers and the Supply in the Phase Cut Power Amplifiers must be the same phase line.

Connect to dimmable bulbs

Dimmer (with single live line) + Phase cut power amplifier + Dimmable bulbs (e.g. incandescent lamps)

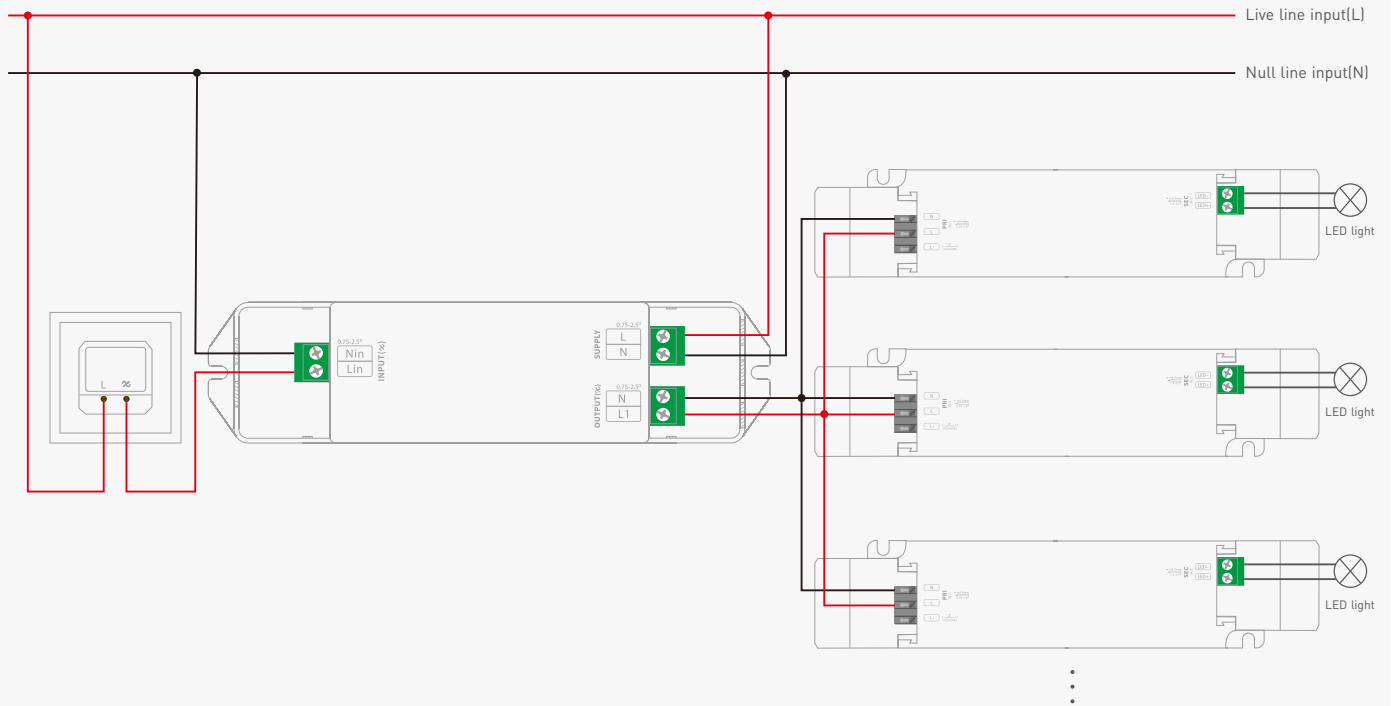


Dimmer (with null and live line) + Phase cut power amplifier + Dimmable bulbs (e.g. incandescent lamps)

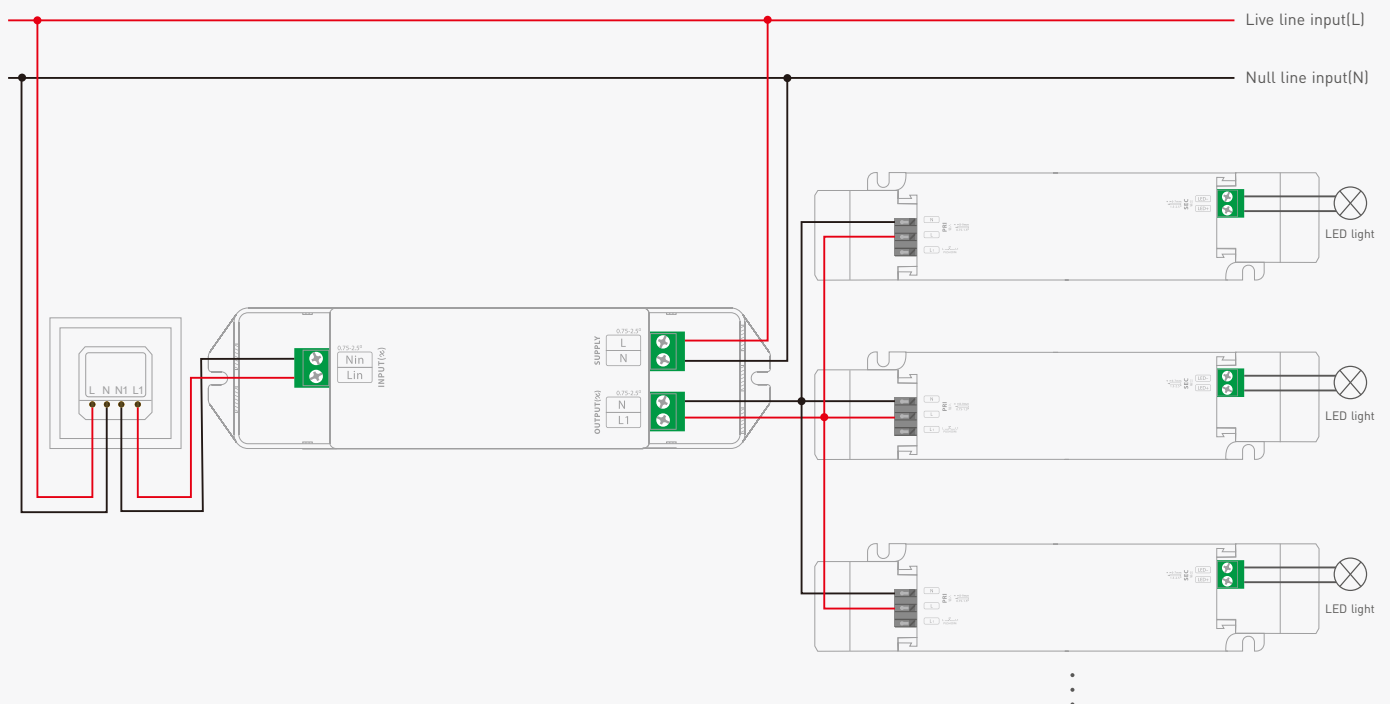


Connect to Phase cut LED drivers

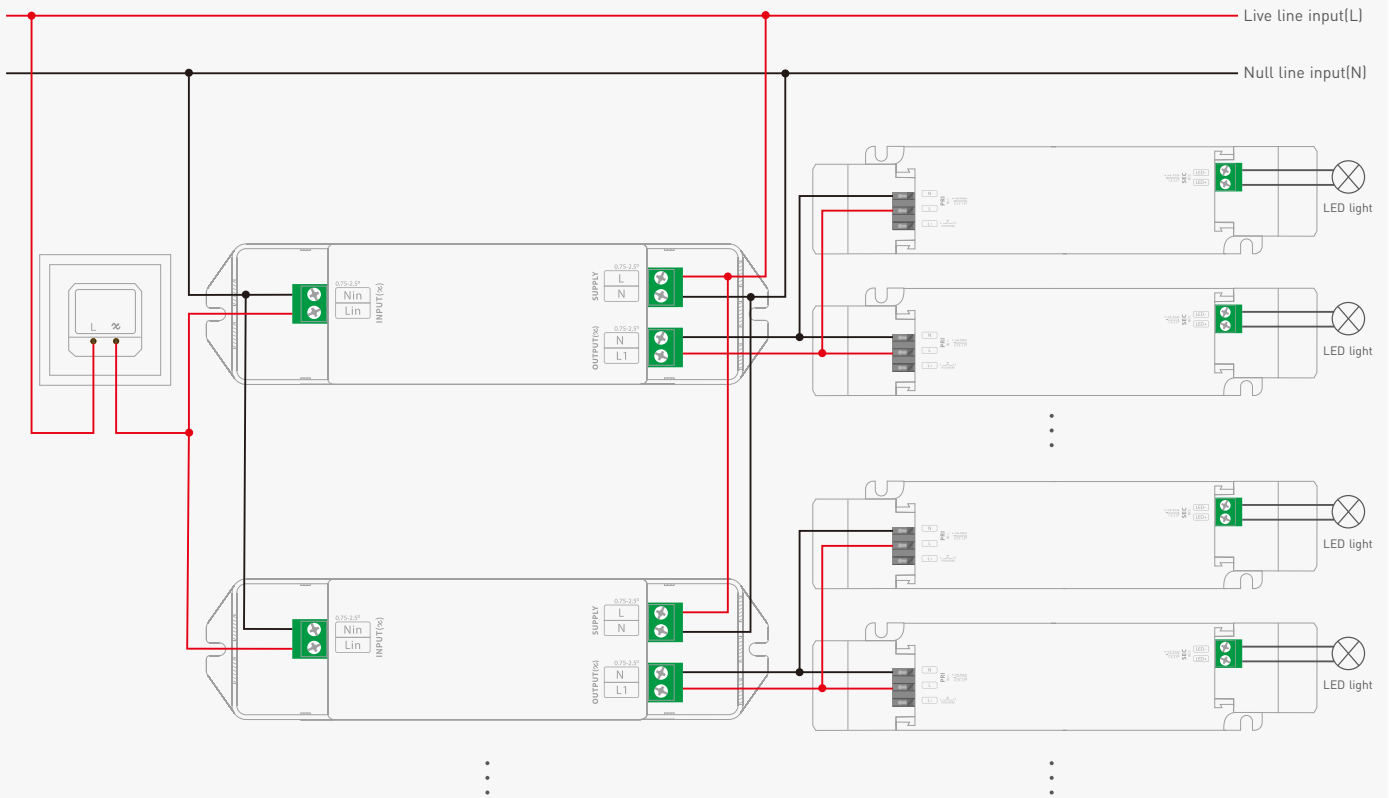
Dimmer (with single live line) + Phase cut power amplifier + Multiple Phase cut LED drivers



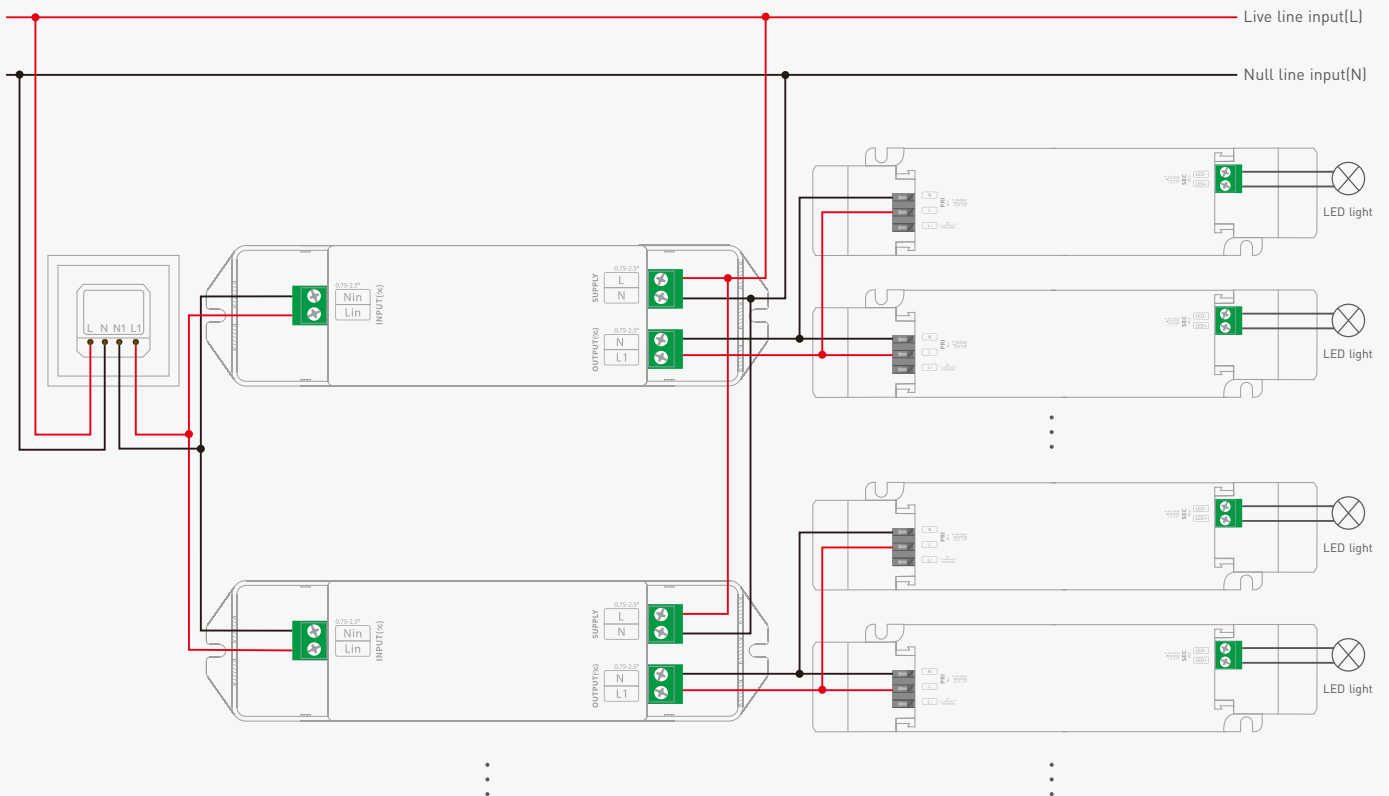
Dimmer (with null and live line) + Phase cut power amplifier + Multiple Phase cut LED drivers



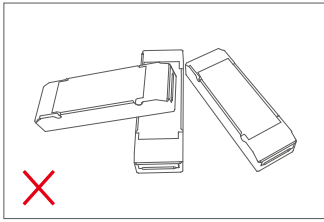
Dimmer (with single live line) + Multiple Phase cut power amplifiers + Multiple Phase cut LED drivers



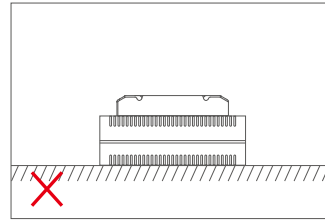
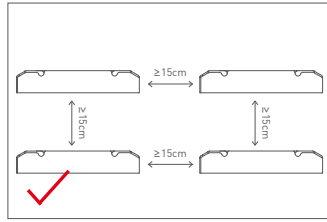
Dimmer (with null and live line) + Multiple Phase cut power amplifiers + Multiple Phase cut LED drivers



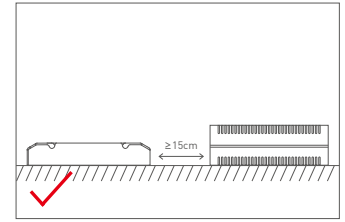
Installation Precautions



Please do not stack the products. The distance between two products should be $\geq 15\text{cm}$ so as not to affect heat dissipation and the lifespan of the products.



Please not place the products on LED drivers. The distance between the product and the driver should be $\geq 15\text{cm}$ so as not to affect heat dissipation and shorten the lifespan of the products.



Packaging Specifications

Model	TT-550-W1T
Carton Dimensions	340x340x156mm (LxWxH)
Quantity	20 PCS/Layer; 3 Layers/Carton; 60 PCS/Carton
Weight	0.19kg/PC; 12.2kg/Carton

Packaging Image



Inner Packaging Box



Carton Packaging

Transportation and Storage

1. Transportation

Products can be shipped via vehicles, boats and planes.

During transportation, products should be protected from rain and sun. Please avoid severe shock and vibration during the loading and unloading process.

2. Storage

The storage conditions should comply with the Class I Environmental Standards. The products that have been stored for more than six months are recommended to be re-inspected and can be used only after they have been qualified.

Attentions

- This product must be installed and adjusted by a qualified professional.
- This product is non-waterproof (special models excepted). Please avoid the sun and rain. When installed outdoors, please ensure it is mounted in a water proof enclosure.
- Good heat dissipation will extend the life the product. Please install the product in a environment with good ventilation.
- When you install this product, please avoid being near a large area of metal objects or stacking them to prevent signal interference.
- Please keep the product away from a intense magnetic field, a high pressure area or a place where lightning is easy to occur.
- Please check whether the working voltage used complies with the parameter requirements of the product.
- Before you power on the product, please make sure all the wiring is correct in case of incorrect connection that may cause a short circuit and damage the components, or trigger a accident.
- If a fault occurs, please do not attempt to fix the product by yourself. If you have any question, please contact the supplier.

* This manual is subject to changes without further notice. Product functions depend on the goods. Please feel free to contact our official distributors if you have any question.

Warranty Agreement

- Warranty periods from the date of delivery: 5 years.
- Free repair or replacement services for quality problems are provided within warranty periods.

Warranty exclusions below:

- Beyond warranty periods.
- Any artificial damage caused by high voltage, overload, or improper operations.
- Products with severe physical damage.
- Damage caused by natural disasters and force majeure.
- Warranty labels and barcodes have been damaged.
- No any contract signed by LTECH.

1. Repair or replacement provided is the only remedy for customers. LTECH is not liable for any incidental or consequential damage unless it is within the law.
2. LTECH has the right to amend or adjust the terms of this warranty, and release in written form shall prevail.

Update Log

Version	Updated Time	Update Content	Updated by
A0	2022.03.07	Original version	Liu Weili
A1	2022.10.10	Updated the product silk screen printing and changed the button function to the dip switch function	Liu Weili