

## 3-Button WiFi & RF RGB LED Controller

- WiFi & RF 3 channel constant voltage RGB LED controller.
- Tuya smart APP cloud control, support on/off, RGB color, brightness adjust, delay turn on/off light, timer run, scene edit and music play function.
- Voice control, support for Amazon Alexa, Google Assistant, Tmall Genie and Xiaodu smart speakers.
- 3 buttons operation with on/off, mode and color adjustment.
- Match with 2.4G single zone or multiple zone RGB remote control optional.
- 256 levels 0-100% dimming smoothly without any flash.
- Built in 10 dynamic modes, include jump or gradual change style.

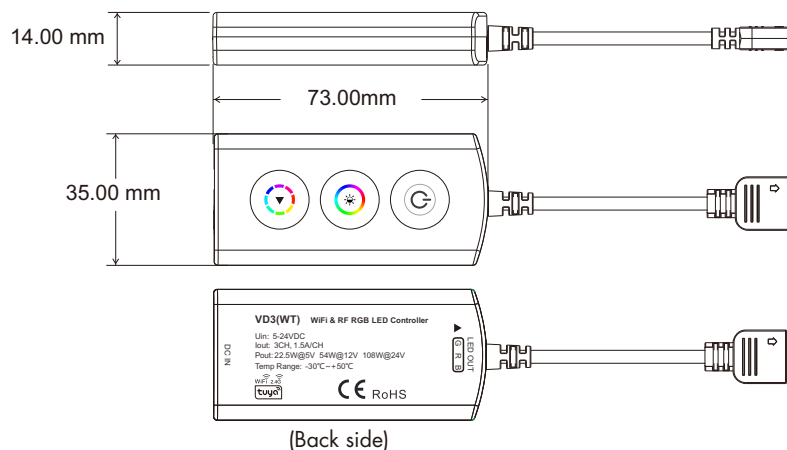


CE RoHS  RED

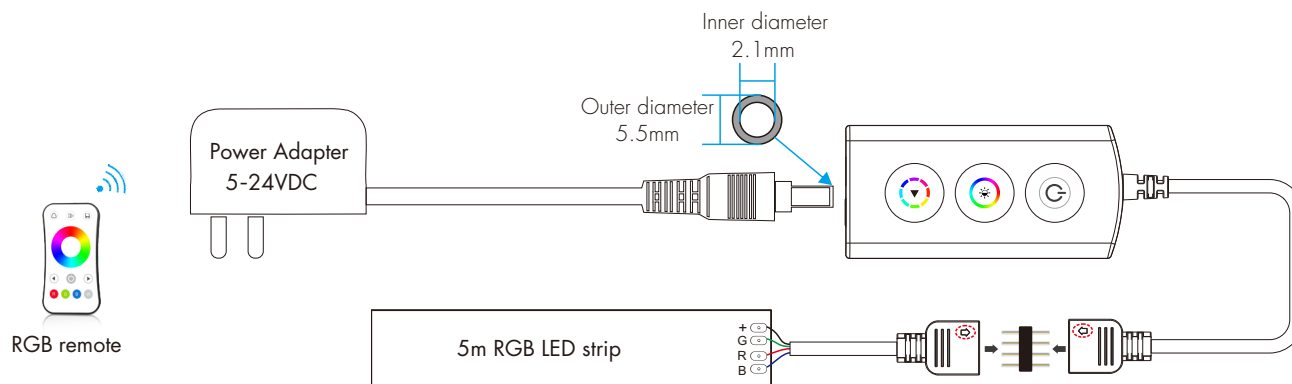
### Technical Parameters

Input and Output		Dimming data		Safety and EMC	
Input voltage	5-24VDC	Input signal	WiFi + RF 2.4GHz + 3 button	EMC standard (EMC)	ETSI EN 301 489-1 V2.2.3 ETSI EN 301 489-17 V3.2.4
Output voltage	5-24VDC	Control distance	30m(Barrier-free space)	Safety standard	EN 61348-1:2015+A1:2021 EN 61348-2-13:2014+A1:2017
Output current	3CH, 1.5A/CH	Dimming level	256 levels	Radio Equipment(RED)	ETSI EN 300 328 V2.2.2
Output power	22.5W@5V 54W@12V 108W@24V	Dimming range	0-100%	Certification	CE,EMC,RED
Environment		Dimming curve	Logarithmic	Package	
Operation temperature	Ta: -30°C ~ +50°C	PWM Frequency	2KHz (default)	Size	L120 x W43 x H27mm
Case temperature (Max.)	Tc: +85°C	Warranty	5 years	Gross weight	0.013kg
		Protection	Over-heat		






### Dimension



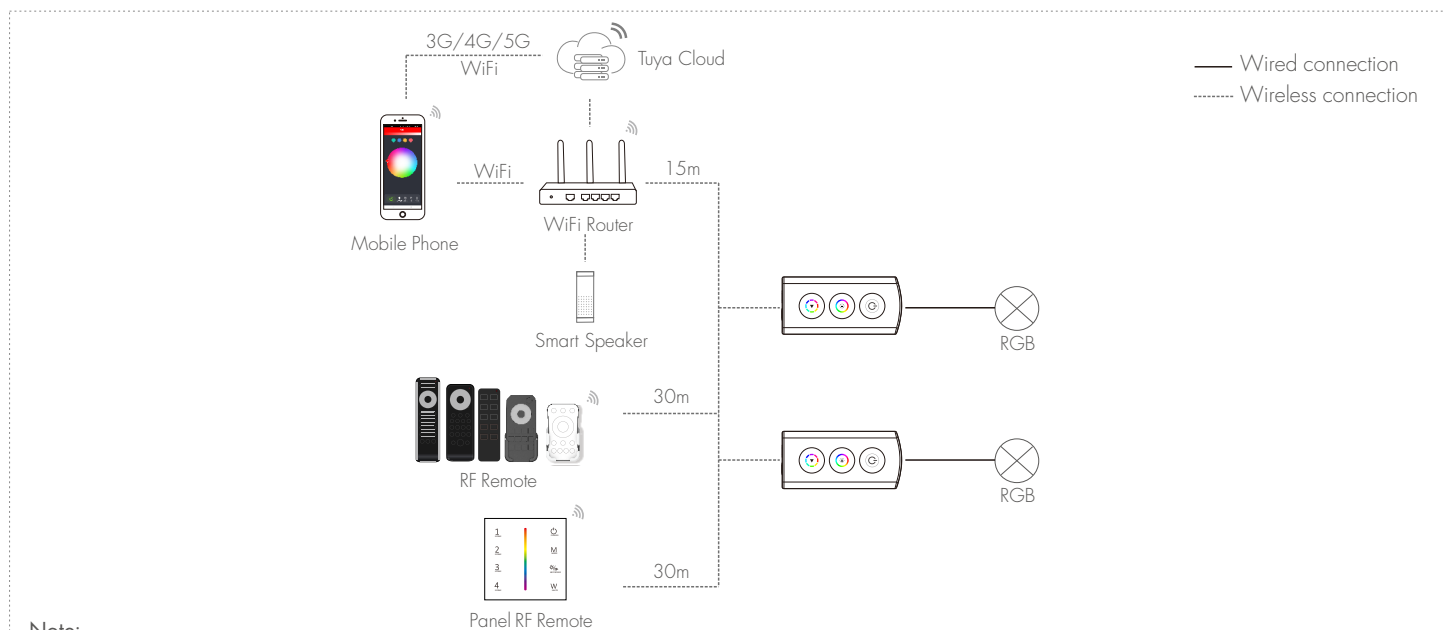
### Wiring Diagram



#### Note:

1. Press and hold the  and  button for 2s, output LED flashes 3 times, the light on/off fade time will change between 3s and 0.5s.
2. Press and hold the ,  and  button for 2s, output LED flashes multiple times, switch between "GRB" (flashes 1 times), "RGB" (flashes 2 times), "BRG" (flashes 3 times) and "BGR" (flashes 4 times) output sequences, default is GRB.

## System Wiring



### Note:

1. The above distance is measured in spacious (no obstacle) environment, Please refer to the actual test distance before installation.
2. Please check if the WiFi router net in 2.4G band, the 5G band is not available, and do not hide your router network.
3. Please keep the distance between VD3(WT) devices and router close, and check the WiFi signals.
4. WiFi signal strength detection: open the main interface of social security, click enter the device interface, click "check device network" for testing.

## Button Function



: Turn on or off light.



: Short press to change 24 static RGB color, long press for 1-6s to adjust 256 levels brightness continuously.



: Short press to change 10 dynamic mode, long press 2s to adjust speed, 10 levels.

### Dynamic mode list :

No.	Name	No.	Name
1	RGB jump	6	RGB fade in and out
2	RGB smooth	7	Red fade in and out
3	6 color jump	8	Green fade in and out
4	6 color smooth	9	Blue fade in and out
5	Yellow cyan purple smooth	10	White fade in and out

## Tuya Smart APP Network Connection

Please download the corresponding tuya/smart life app according to your region.

Press and hold and button for 2s:  
clear previous network connection, enter Smart config mode, the output LED will flash 10 times.

Press and hold and button for 5s:  
Clear previous network connection, enter AP config mode, the output LED will flash 5 times.  
If smart config failed, please try AP config.

Repeat power on and off for 5 consecutive times, also clear previous network connection,  
enter Smart config mode, the output LED will flash 10 times.

If Tuya smart APP network connection succeed, the output LED will stop flash,  
and in Tuya smart APP, you can find RGBc device .

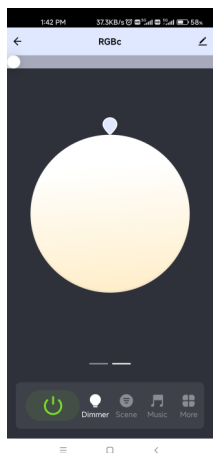


Smart life APP



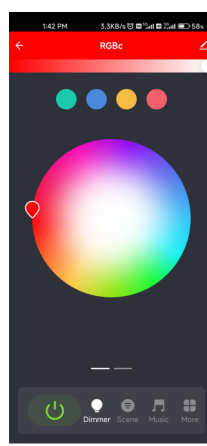
Tuya Smart

## Tuya Smart APP Interface



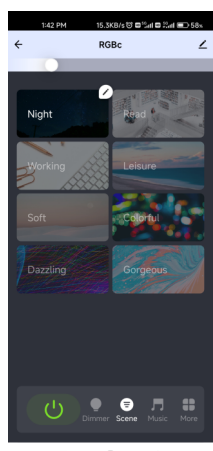
### White interface

Touch brightness slide, get RGB mixed white firstly, then to adjust white brightness.



### Colour interface

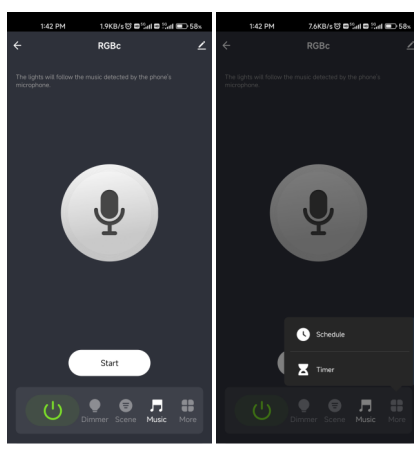
Touch color circle to adjust static RGB color. Touch brightness slide to adjust color brightness.



### Scene interface

The 1-4 scene is static color. the inner color of these scene can be editable.

The 5-8 scene is dynamic mode, such as green fade in and fade out, RGB jump, 6 color jump, 6 color smooth.



### Music, Timer, Schedule

The music play can use smart phone music player or micro-phone as music signal input.

The Schedule key can add multiple timers to turn on or turn off light according to different time periods.



The Timer key can turn on or turn off light in the next 24 hours.

## Match Remote Control (optional)

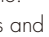

End user can choose the suitable match/delete ways. Two options are offered for selection:

### Use and button

Match:

Long press  and  button 2s, the output LED blinks 2 times, immediately press on/off key (single zone remote) or zone key (multiple zone remote) of the remote. The output LED blinks 3 times means match is successful.

Delete:

Press and hold  and  button for 5s to delete all match, The output LED blinks 5 times means all matched remotes were deleted.

### Use Power Restart

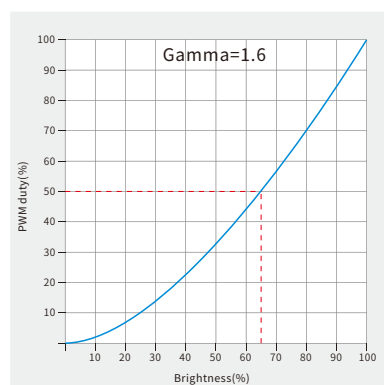
Match:

Switch off the power, then switch on power again, immediately short press on/off key (single zone remote) or zone key (multiple zone remote) 3 times on the remote. The output LED blinks 3 times means match is successful.

Delete:

Switch off the power, then switch on power again, immediately short press on/off key (single zone remote) or zone key (multiple zone remote) 5 times on the remote. The output LED blinks 5 times means all matched remotes were deleted.

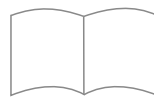
## Dimming Curve



## Packing List



LED Controller  
1 pcs



User Manual  
1 pcs



Extension Cable  
(12cm)  
1 pcs



4-Pin Plug  
1 pcs