

LTECH

MS Panel



Model: MS-WF-512

Features

- Ultra-thin wall-mounted lighting control system.
- LCD color screen man-machine interaction, simple and flexible operation.
- iPhone, IPad, Android smart system applications.
- WiFi + DMX/RDM protocol, support remote and LAN control.
- Built-in advanced touch vibration technology.
- 8 DIY scene keys.
- Up to 512 lamps, 512 scenes and scene switching states can be added.
- Dimming, color temperature, RGB, RGBW, RGBWY lamps can be controlled.
- Work with DMX-TRIG can trigger 15 scenes via dry contact.
- Slow start / slow close time and lamp power can be set.

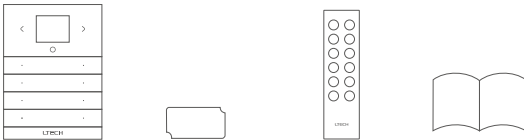
Technical specs

Model:	MS-WF-512	Working temp.:	-20°C-55°C
Name:	MS Panel	Product size:	L146×W106×H18(mm)
Input voltage:	5-24Vdc	Packing size:	L219×W196×H50(mm)
Wireless type:	WiFi, RF 2.4GHz	Weight(N.W.):	230g
Output signal:	DMX512, L-BUS	Weight(G.W.):	620g

* Only support 1CH-5CH DMX/RDM decoder of LTECH.

Model:	MS10	Wireless type:	RF 2.4GHZ
Name:	Scene remote	Product size:	L150×W46×H18(mm)
Working voltage:	3Vdc (CR2032 button battery)	Weight(N.W.):	65g

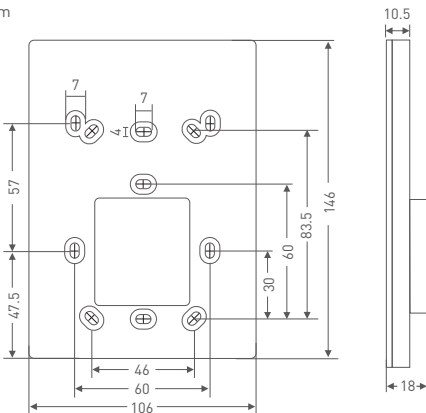
Package content



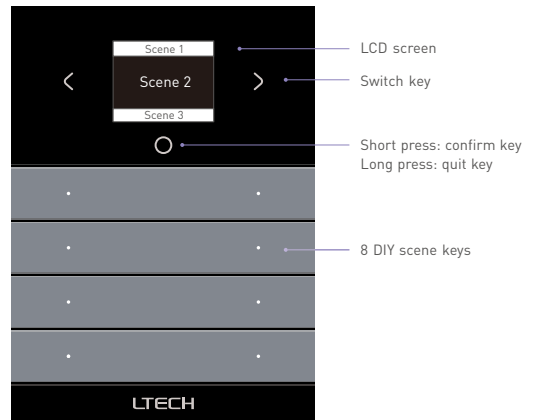
MS Panel 1pcs Power adapter 1pcs Remote 1pcs Manual 1pcs

Product size

Unit: mm

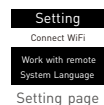


Key function



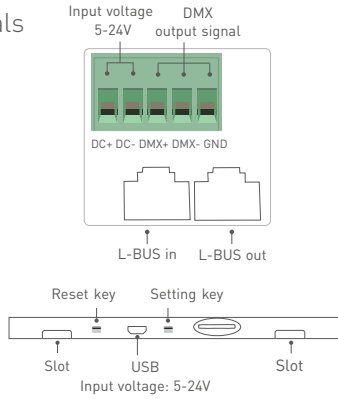
When the LCD screen is the scene page, long press "○" key will switch to "scene lighting demonstration" page, now you can preview dimming, RGB, CT, RGBW and RGBWY lighting effect with "8 DIY scene keys".

Scene lighting demonstration



Short press "setting key" with card pin, LCD screen will show left page, press "<" or ">" key to switch items, short press "○" key to confirm the option and proceed accordingly, long press "○" to quit.

Terminals

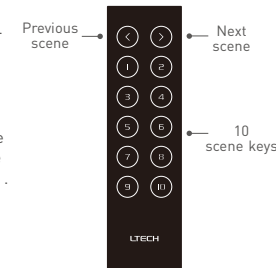


* Operation of the reset key and the setting key: press its hole with card pin.
 Short press the reset key: reset the panel.
 Short press the setting key: panel enter the setting page.

Scene remote control

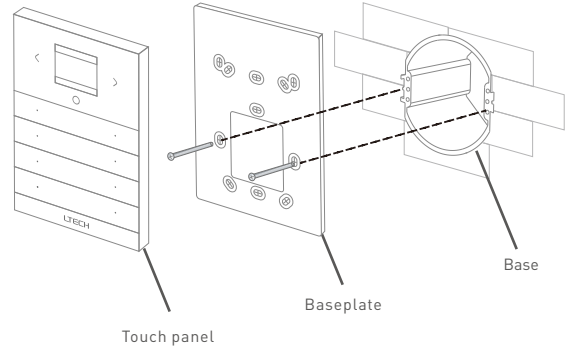
The remote control need to match code with MS Panel. Please find the match steps in the setting interface of APP or setting page of MS Panel .

* One MS Panel can be controlled by 10 remotes.

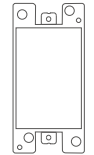
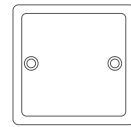
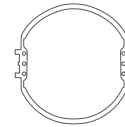


4

Installation instruction

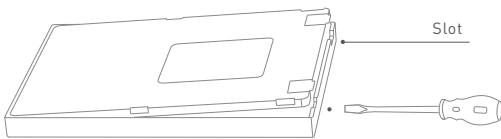


1. Install the base into the wall. Typical boxes as below:

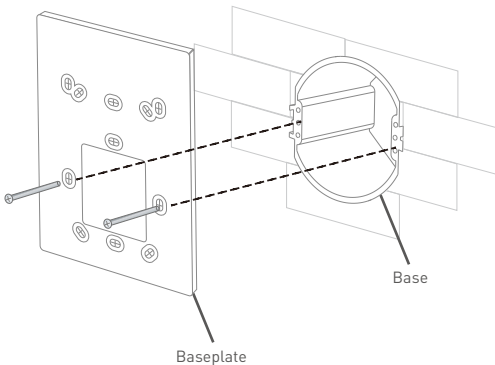


5

2. Use a straight screwdriver to pry the position shown.

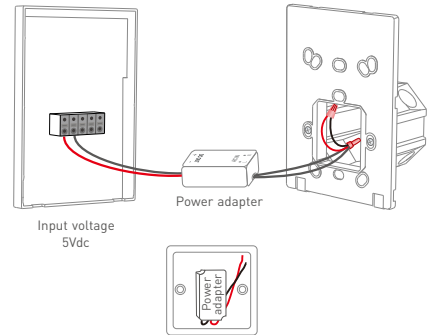


3. Screw the baseplate and the base in the wall firmly.

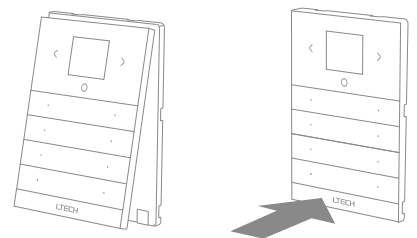


6

4. Connect in a right way and put the power adapter into the base.

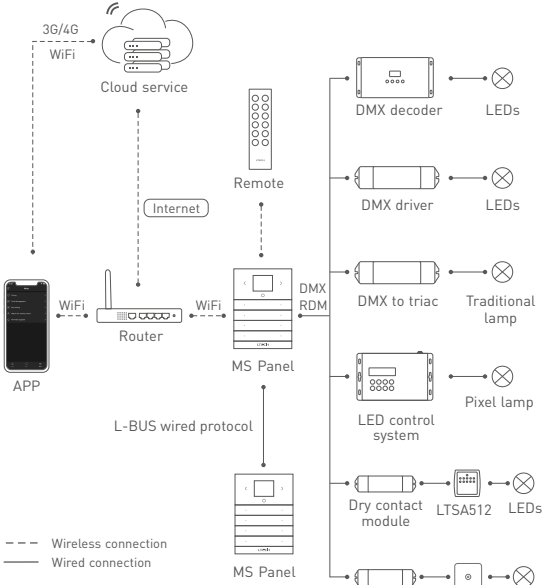


5. Embed the upper touch panel into the baseplate and then tap the bottom to press into the slots.



7

System wiring



FC CE RoHS

warranty 5 years
ISO9001:2008

APP introduction

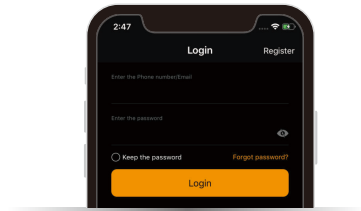
1. Install APP

1.1 Install APP via mobile phone.



Scan QR code to download "MS Panel"

1.2 Open APP and register or login.



2. Operation guide

2.1 Match device

Open APP, enter "My Device" interface, click "+" icon on the upper right corner, add MS Panel following the prompts.



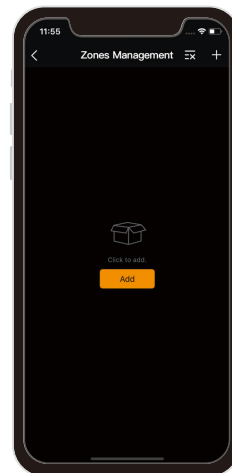
My device



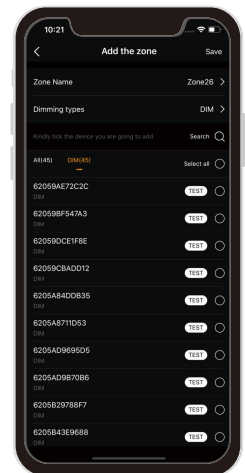
Enter network

2.2 Add zones

Click the added MS Panel, enter the "Zone management" interface, then add or manage the zone according to the prompts.



Zone management



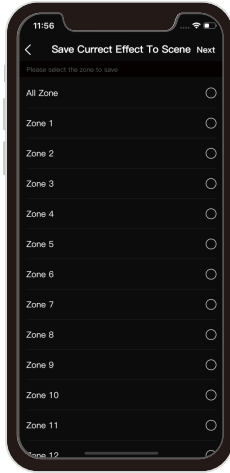
Add zone

2.3 Add scenes

Adjust lighting effect in the zone interface, and then click “☆” on the upper right corner to add the current lighting effect to the scene.



Zone

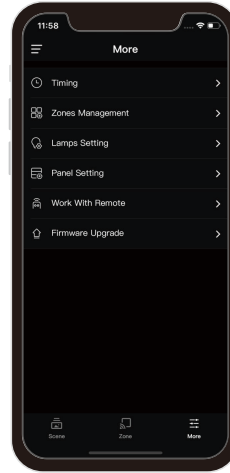


Save current lighting to scene

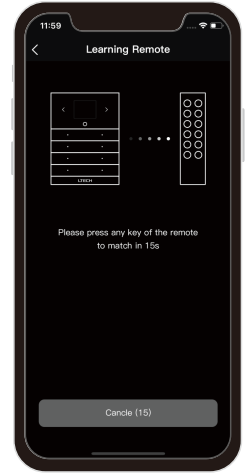
12

2.4 More operation

Click “☰” icon to enter “More” interface, timing / zone management / key setting / match remote and firmware upgrade can be operated here, more detail please refer to APP.



More



Marth remote

13

FAQ

- Is there a requirement for the mobile version of this product?
Please use Android 4.1, iOS 9.0 or higher version.
- What we can do if gateway match failed?
 - Please check if the router net in 2.4G band. The 5G is not available. Please set the router into 2.4G if you use the intelligent dual-band routers.
 - Please do not hide your router network.
 - Please keep the distance between devices and router close.
 - Kindly check the WiFi signals.
 - Kindly check the WiFi account and password.
 - Kindly check the WiFi devices, do not exceed the router capacity.
- How to set up if the configured router needs to be replaced?
The network can be reconfigured on the APP, and this operation will not lose the set data of the panel.
- What can we do if the long-range control failed or the gateway offline?
 - Kindly check the network of your mobile phone.
 - Kindly check the router.
 - Kindly check the power of gateway or if the devices are restored factory setting.
- How to restore factory settings?
Insert the pin into the “Setting” hole and short press, LCD screen enter setting interface, choose “restore factory setting”, then press “o” key.
- What can we do if the panel keys are failed to respond?
Insert the pin into “reset” hole and press, this operation will not lose the set data of the panel.

Please contact suppliers if needs more support.

14

Attention

- When placing, please avoid close to a large area of metal objects, so as not to disturb signal.
- Please don't use it in wet environment.
- No burning, no heating.
- Please don't open, alter, repair or maintenance the gateway, or it will be out of warranty.

After-sales service instruction

Thanks for buying L-BUS intelligent gateway. A 5-year warranty is given from the date of purchase. Please contact supplier before sending back.

Warranty exclusions below:

- Product broken because wasn't installed, used, maintained, reserved according to the manual.
- Beyond the warranty period.
- Warranty label, fragile label and unique barcode label have been damaged.
- Unauthorized changes the configuration file or disassemble repair, the product appears to have excessive physical damage.
- Damage due to human factors: unsuitable voltage input, high temperature, influent, mechanical damage, severe oxidation or rust.
- Damage due to natural disasters and force majeure.
- Damage caused by other non product design, technology, manufacturing, quality problems.

* No further notice if any changes in the manual.
Product function depends on the goods.
Please feel free to contact our official distributor if any question.