

Feature

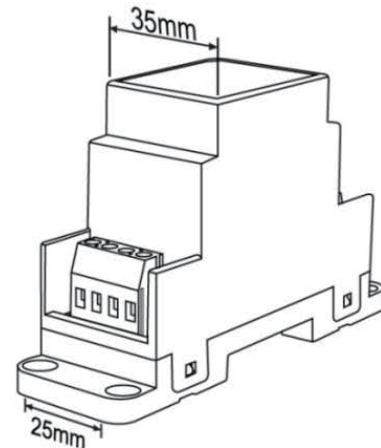
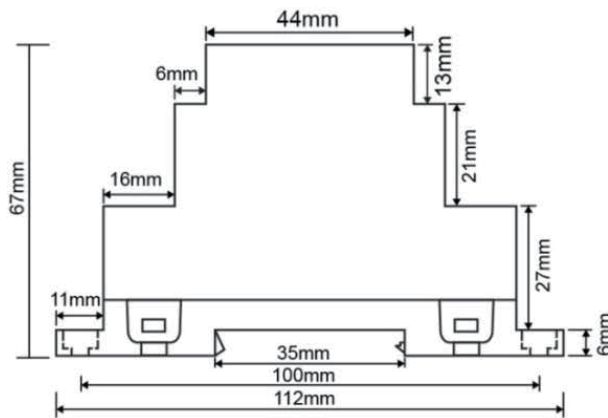
- Meet DMX512 (1990)/RDM (2009) Protocol.
- 3 channels PWM output, the max current of each channel up to 5A
- With the light color selected mechanism, and be able to control the light with 1-3 colors
- DMX address can be set manually by button or RDM master if it works on RDM mode.
- DC power supply
- Support over current protection, short circuit protection function



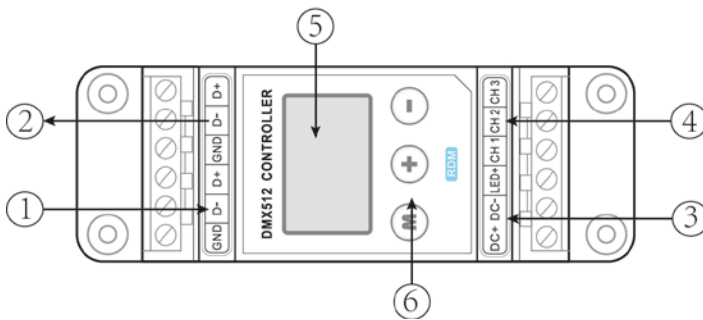
Technical Parameter

Model	DIM101M-DIN
Input Voltage	12-24VDC
Input Signal	DMX/RDM Dimming signal
Output Current	5A*3Ch (Max)
Output Power	180W(12V)/360W(24V)
Output Channels	3
Dimming Output	PWM
Dimming Range	0-100%
Installation	Rail or Screw fixing
Mounting Rail	TS-35/7.5 or TS-35/15
Product Size	112(L)*35(W)*67(H)mm
Pack Size	354(L)*234(W)*232(H)mm 60Pcs/6.5kg/Carton
G.W	90g
Work Temperature	-30 ~ 50°C

Dimension



Interface Introduction



- (1)(2) DMX/RDM signal input/output interface
- (3) Power input interface
- (4) Driver output interface
- (5) Display LED
- (6) Keys for address setting

◆ DMX/RDM signal interface

1. The DMX signal is not properly connected, current address and --- will be displayed on LED by loop and interval 2S;
2. The DMX signal is paused, current address and P will be displayed on LED by loop and interval is 2S;
3. The DMX signal is normal, current address be displayed only;

◆ Power input interface:

DC 12-24V input, supply power for decoder and the lamps it takes.

◆ Address setting keys:

Address can be saved automatically, address can be recovered when next power on

- When the address set for 0 to activate the RDM functions, at the same time the first DMX Address of device will be set by the RDM master.
 - When the address is not 0, the device will be exit RDM function, then the device will be regarded as the conventional DMX decoder
1. Key "M", used to lock or unlock address setting function, normally address can't be setting. When long press this key for 3 seconds, the dot in the bottom right of LED will be on, used to indicate unlocked, you can change the address. After setting address, long press the M key 2S or do not press any button 5S, the dot will be off, indicating that the address code is locked and

can't be modified

2. Key "+", used for add address number, short press address add 1 each time, long press address will be changed very fast, reduce setting time, the maximum address is 511
3. Key "-", used for minus address number, short press address minus 1 each time, long press address will be changed very fast, reduce setting time, the minimum address is 0

Remark:

- The default address code is 1
- Address 508 to 511 is as a test mode to confirm that the wire is connected properly if there is no signal is coming.

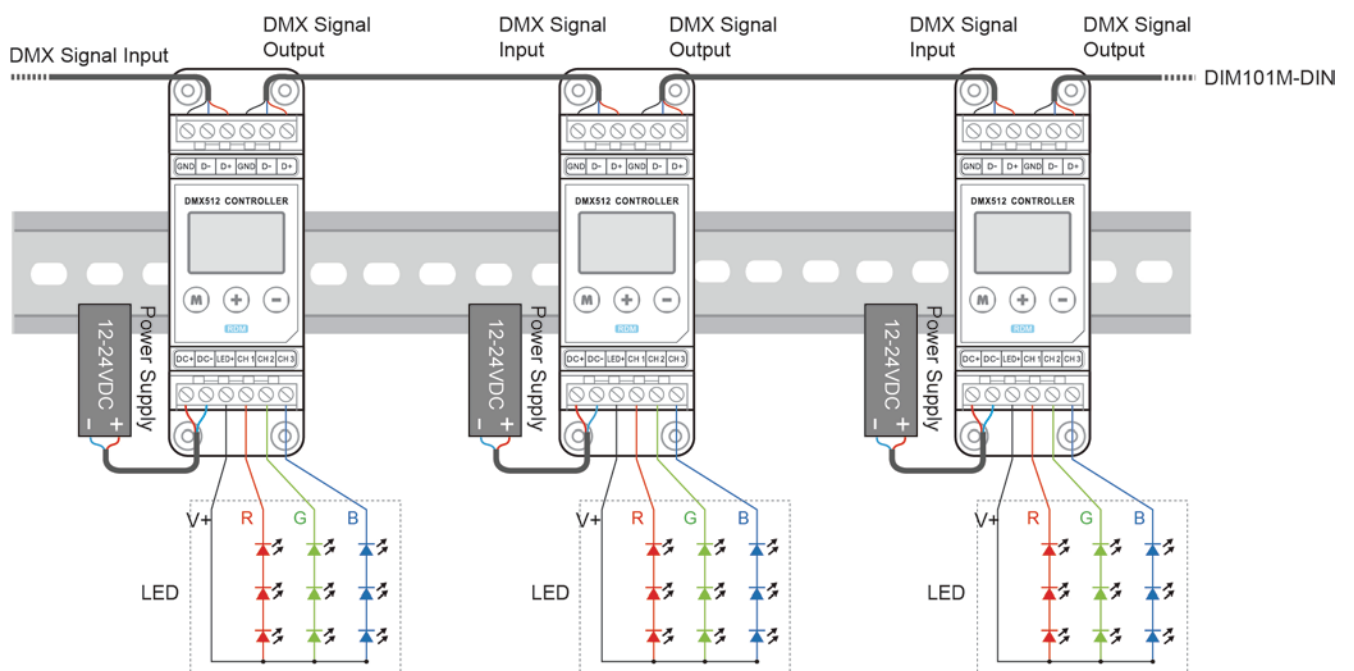
◆ **Driver output interface**

Common anode, V+ and R,G,B interface, can drive kinds of RGB module or single-color module, Can regulate output current according to the actual load.

Remark:

Connect the anode and RGB wire of common anode RGB module to the output interface of decoder directly; Connect the anode wire of single-color module to V+ on decoder, and connect the cathode wire to one of RGB pin according to the LED's color; Connect several colors single-color module to one decoder, please connect their anode wires to V+ pin on decoder.

Wiring Diagram



- The wire for DMX is STP, the DMX signal has positive and negative signal. Pay attention to the polarity while soldering. Connect the positive signal, negative signal and GND to the corresponding signal of device.
- Set DMX Address by button or be scan and set automatically by DMX master controller followed RDM protocol.
- Connect a signal terminal at the end of the whole connection.

产品特性

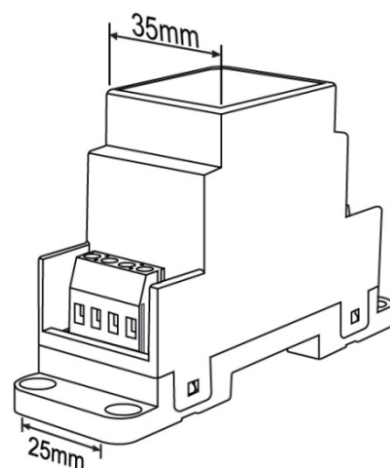
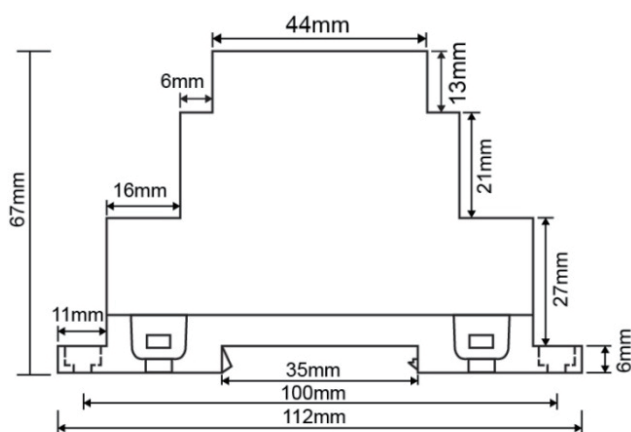
- 支持 DMX512(1990)/RDM(2009)标准协议。
- 3 通道 PWM 输出，每通道最大电流为 5A。
- 具有灯具颜色选择机制，可控制具有 1-3 种基本颜色的灯具
- 可通过按键或 RDM 主控（RDM 模式）设定 DMX 地址
- 采用直流电源供电
- 具有短路保护，过流保护功能



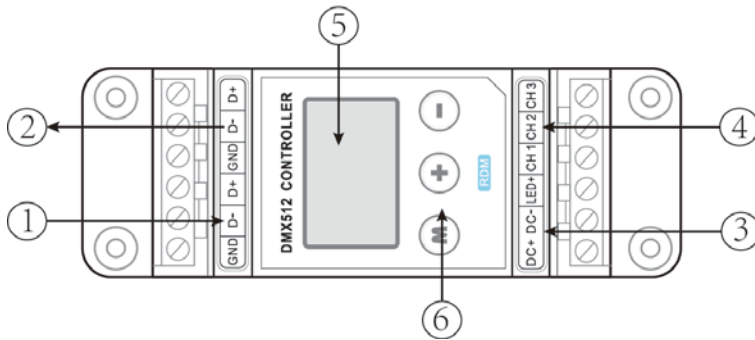
技术参数

产品型号	DIM101M-DIN
输入电压	12-24VDC
输入信号	DMX/RDM 调光信号
输出电流	5A * 3 路，最大 15A
输出功率	180W(12V)/360W(24V)
输出通道数	3 通道
调光输出	PWM
调光范围	0-100%
安装方式	导轨或螺丝固定
安装轨道	TS-35/7.5 或 TS-35/15
产品尺寸	112(长)*35(宽)*67(高)毫米
包装尺寸	354(长)*234(宽)*232(高)毫米； 60Pcs/6.5kg/箱
毛重	90 克
工作温度	-30 ~ 50℃

结构尺寸



接口说明



- (1)(2) DMX/RDM 信号输入/输出接口
 (3) 电源输入接口
 (4) 驱动输出接口
 (5) LED 数码管
 (6) 地址设置按键

● DMX/RDM 信号接口

1. DMX 信号线没有正确连接时，当前地址与 --- 将会循环显示，间隔 2S
2. DMX 信号暂停时，当前地址与 P 将会循环显示，间隔 2S；
3. DMX 信号正常时，将会仅会显示当前地址

● 电源输入接口

直流 12~24V 输入，为解码器本身和解码器所带灯具供电

● 地址码设置按键

地址码可以自动存储，再次上电后，自动恢复上次存储地址码。

- 当地址为 0 时，设备激活为 RDM 功能，同时解码器的第一个 DMX 地址由 RDM 主控进行自动设置。
- 当地址不为 0 时，设备退出 RDM 功能，该解码器视为一个传统的 DMX 解码器。

1. 按键 M，用于解锁或锁住地址码，正常使用时，地址码无法更改。长按此按键 3S 后，LED 数码管右下方的逗号将会亮起，用于指示解锁状态，此时可以更改地址。更改地址后，长按 M 键 2S 后或不按任何按键 5S 后，逗号消失，表明地址码加锁，不可修改
2. 按键+，用于地址加。短按键+，地址每次加 1；长按键+，地址快速增加，缩短设置时间，最大地址 511
3. 按键-，用于地址减。短按键-，地址每次减 1，长按键-，地址快速减小，缩短设置时间，最小地址 0

注：出厂时地址码默认设置为 1

地址为 508 到 511 是作为一个自测试模式，在没有信号接入时，可测试灯具接线是否正确。

● 驱动输出接口

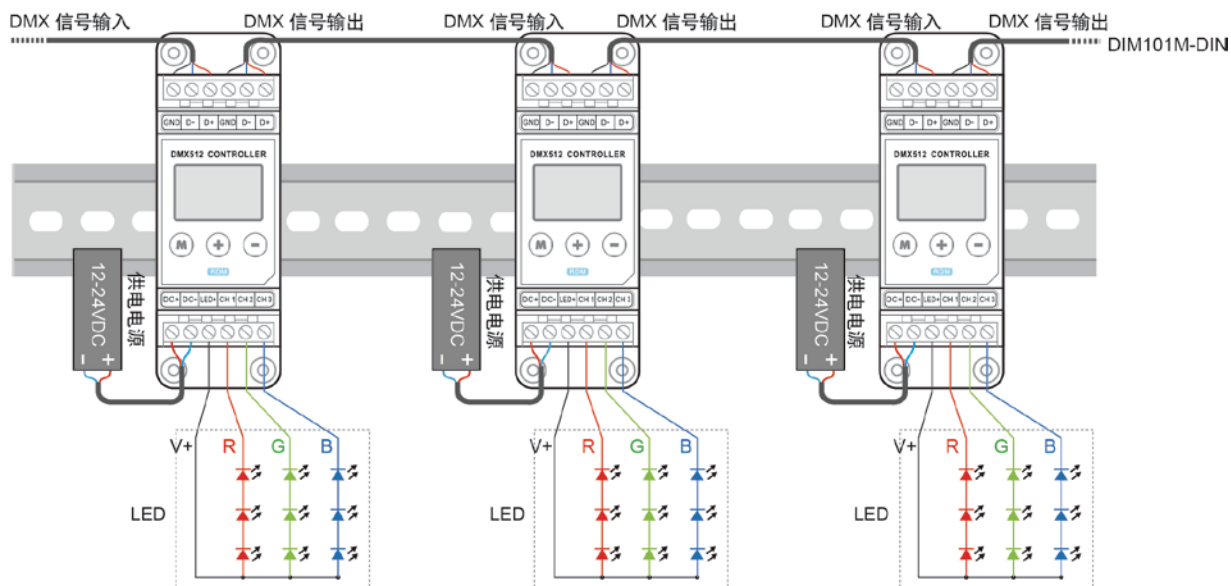
共阳极驱动，具有一个 V+ 接口和 3 通道 R,G,B 输出接口，可接各种全彩模组和单色模组

注：共阳极连接的全彩模组可直接将正线和 R,G,B 控制线接至解码器的输出接口对应脚位上；

单色模组可将正线接至解码器的输出接口的 V+ 脚上，负线根据该模块的颜色接至解码器的输出接口 R,G,B 某一脚位上；

几种颜色的单色模组接到同一个解码器上，须将它们的正线都接到解码器的输出接口的 V+ 端口。

应用接线图



- DMX 接线为直连式，DMX 信号有正信号和负信号。接线时，要注意极性。将正信号，负信号和接地信号连接到设备相对应的接口。
- 通过按键来设置 DMX 地址，或者用遵循 RDM 协议的 DMX 主控来扫描并自动设置。
- 整个接线的尾部最后需接信号终结器。